

CLASSIC 315 MACHINE BREAKDOWN AND PARTS DESCRIPTION

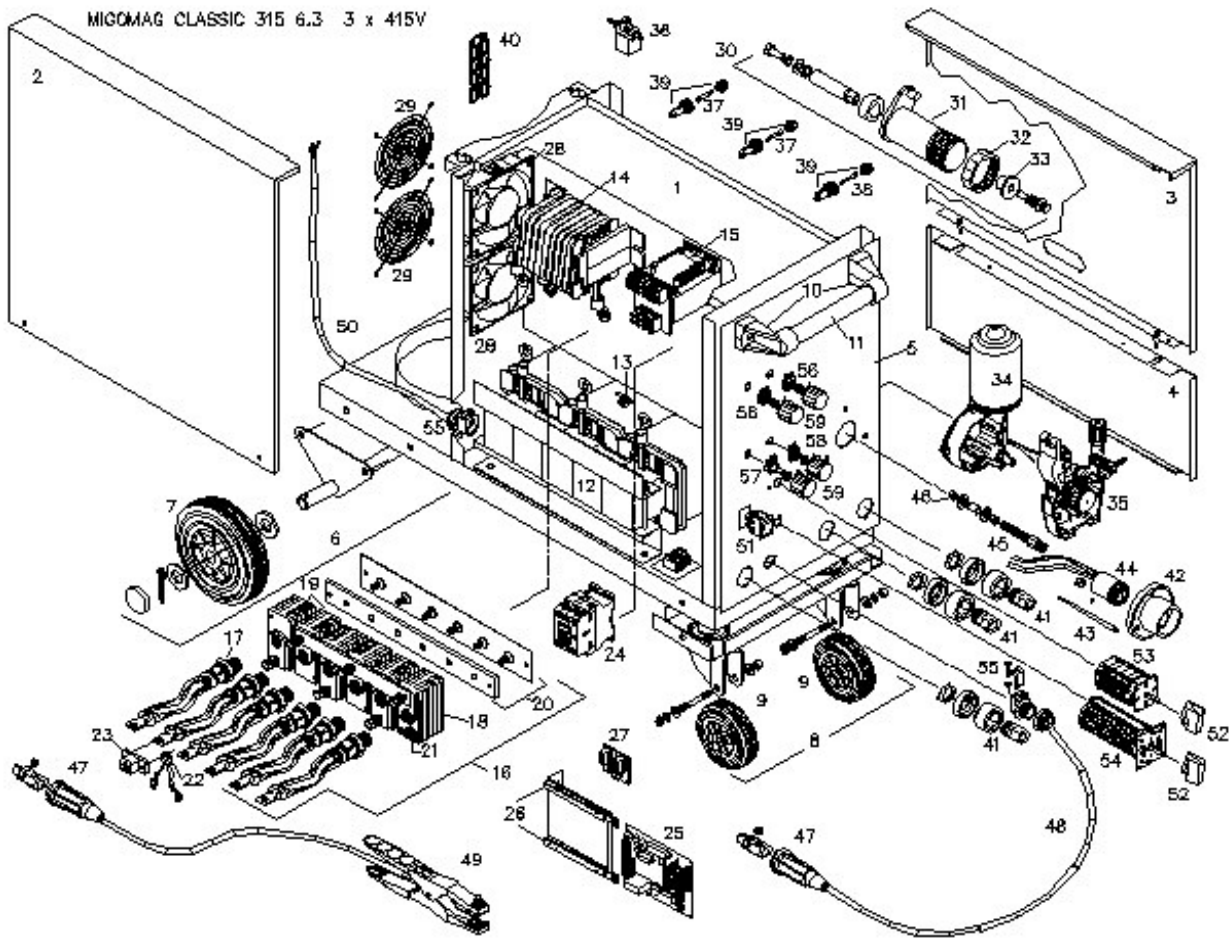


FIG	PART NO.	DESCRIPTION	FIG	PART NO.	DESCRIPTION
2	86001077	Left Hand Side Panel	31	86003012	Hub Only
3	86001078	Opening Side Panel	32	86003010	Hub Nut
4	86001078A	Right Hand Side Panel Lower	33	86006050	Friction Brake Washer
6	86001042B	Rear Wheel Assy	34	86003003	Drive Motor
7	86001038	Rubber Wheel dia. 160mm	35		Wire Feed Unit
8	86001050A	Front Wheel Assy		86003004	Drive Bracket Assy
9	86001051	Rubber Wheel dia. 100mm	36	86006001	Gas Solenoid Valve
10	86001082	Handle Support bracket	37	86002054P	Fuse 2.5AMP 30 x 6 (10pkt)
11	86001085	Handle Pipe	38	86002062P	Fuse 6.3AMP 30 x 6 (10pkt)
12	86004043	Transformer Main	39	86002070	Fuse Holder
13	86001031	Thermoswitch 110C	41	P5110014	Dinse Socket 35
14	86004004	Choke	42	5010616	Housing for Central Adaptor
15	86004016	Transformer Auxilary	43	86003054	Guide Tube 2.0 x 103
17	86005001	Diode IR	42-46	86003001	Central Adaptor Head
17	86005000	Diode 2003	47	P5110015	Dinse Plug 35
18	86005012	Heatsink M20x1.5	49	MEC500	Earth Clamp
19	86005012A	Heatsink M20x1.5 + M4	51	86001005	Switch ON/OFF
20	86005013A	Heatsink Holder	52	86001046	Knob for Voltage Selector Sw.
21	86001031A	Thermoswitch 80C	53	86001011	Switch 3 position
24	86001016	Main Contactor DIL-K7-10	54	86001004	Switch 8 position
25	86002010	PCB	56	86001043	Spot Pot 470KA
26	86002007	PCB Holder	57	86001047	Burnback Pot 4K7A
28	86001030	Fan	58	86001044	Wire Feed Pot 10KA
29	86001029	Fan Guard	59	86001045	Complete Knob for Pot. Meter
30	86003011	Complete Hub			