

MIGOMAG 350 MACHINE BREAKDOWN AND PARTS DESCRIPTION

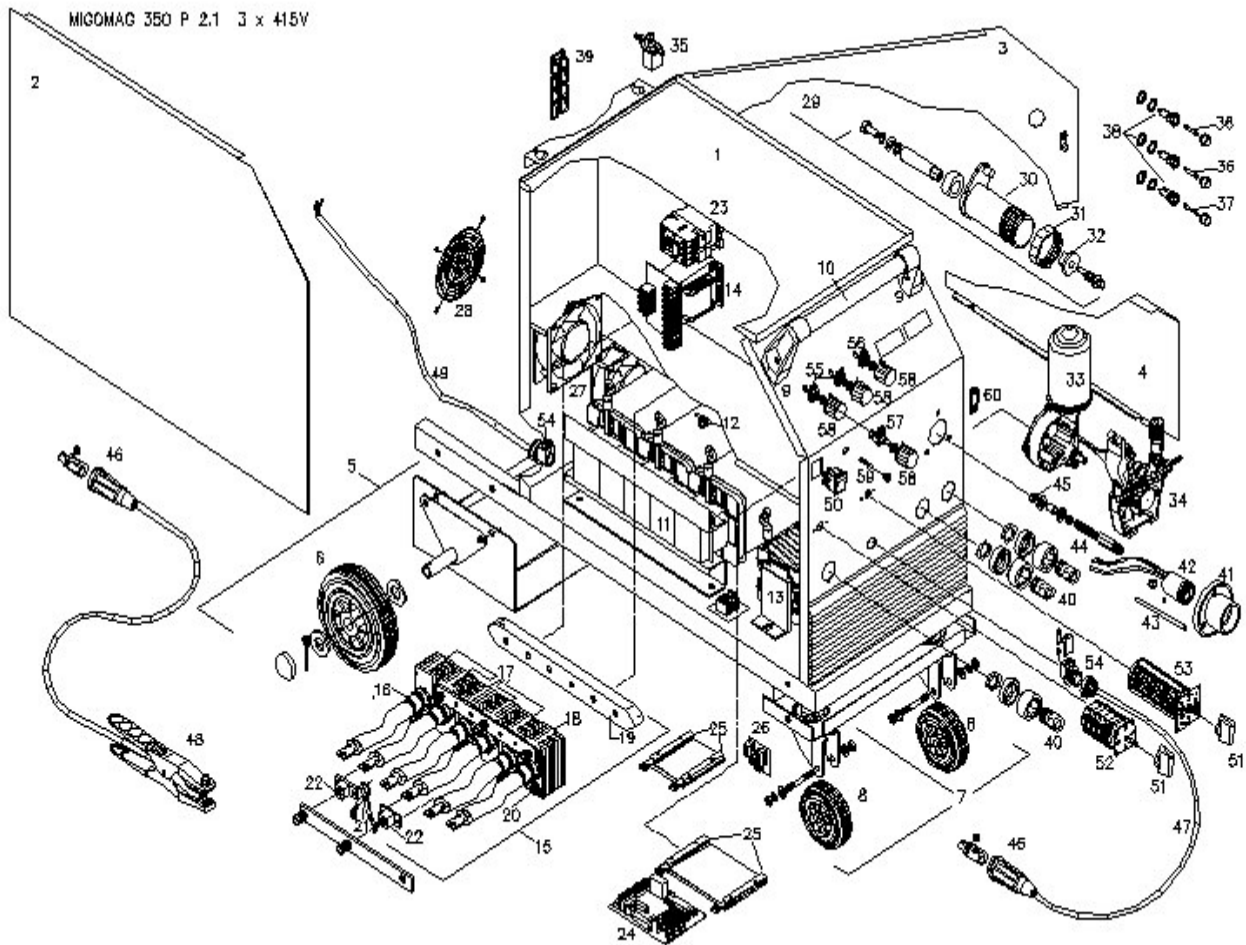


FIG	PART NO.	DESCRIPTION	FIG	PART NO.	DESCRIPTION
2	86001076	Left Hand Side Panel	30	86003012	Hub Only
3	86001075	Opening Side Panel	31	86003010	Hub Nut
4	86001074	Right Hand Side Panel Lower	32	86006050	Friction Brake Washer
5	86001042	Rear Castor Assy	33	86003003	Drive Motor
6	86001038	Rubber Wheel dia. 160mm	34		Wire Feed Unit
7	86001049	Front Castor Assy		86003004	Drive Bracket Assy
8	86001051	Rubber Wheel dia. 100mm	35	86006001	Gas Solenoid Valve
9	86001082	Handle Support bracket	36	86002054P	Fuse 2.5AMP 30 x 6 (10pkt)
10	86001084	Handle Pipe	37	86002062P	Fuse 6.3AMP 30 x 6 (10pkt)
11	86004044	Transformer Main	38	86002070	Fuse Holder
12	86001031	Thermoswitch 110C for M/Transf	40	P5110014	Dinse Socket 35
13	86004008	Choke	41	5010616	Housing for Central Adaptor
14	86004013	Transformer Auxiliary	41-45	86003001	Central Adaptor Head
16	86005001	Diode IR	43	86003044	Guide tube 2.0mm
16	86005000	Diode 2003	46	P5110015	Dinse Plug 35
17	86005012	Heatsink M20x1.5	47	FW35	Rubber Cable 35mm ²
18	86005012A	Heatsink M20x1.5 + M4	48	MEC500	Earth Clamp
19	86005013A	Heatsink Holder	50	86001005	Switch ON/OFF
20	86001031A	Thermoswitch 80C	51	86001046	Knob for Voltage Switch
23	86001016	Main Contactor DIL-K7-10	52	86001011	Switch 3 position
24	86002010	PCB	53	86001004	Switch 8 position
25	86002007	PCB Holder	55	86001043	Spot Pot 470KA
27	86001027	Fan	56	86001044	Wire Feed Pot 10KA
28	86001029	Fan Guard	57	86001047	Burnback Pot 4K7A
29	86003011	Complete Hub	58	86001045	Complete Knob for Pot. Meter