

## MIGOMAG 400 MACHINE BREAKDOWN AND PARTS DESCRIPTION

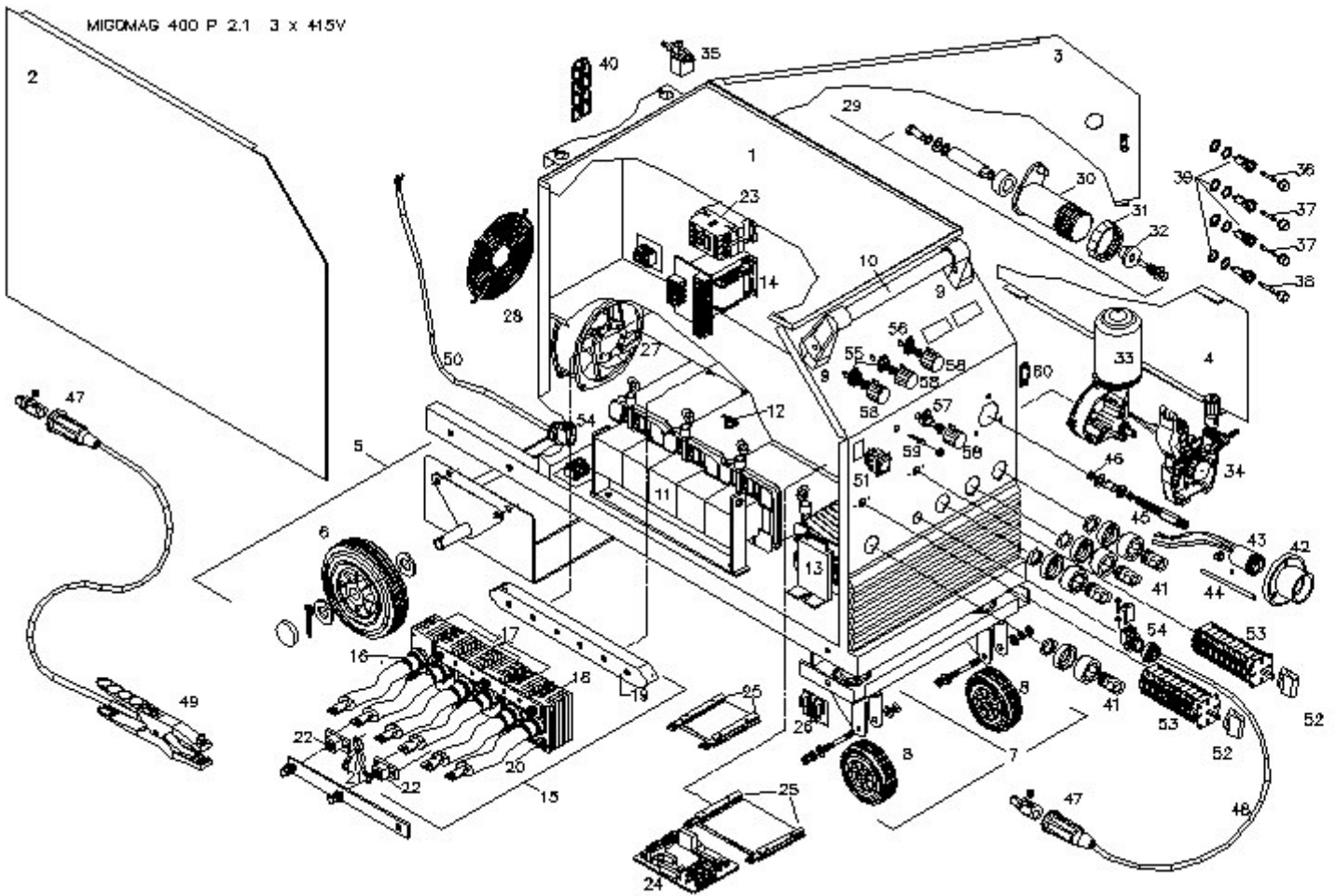


FIG	PART NO.	DESCRIPTION	FIG	PART NO.	DESCRIPTION
2	86001076	Left Hand Side Panel	30	86003012	Hub Only
3	86001075	Opening Side Panel	31	86003010	Hub Nut
4	86001074	Right Hand Side Panel Lower	32	86006050	Friction Brake Washer
5	86001042	Rear Wheel Assy	33	86003003	Drive Motor
6	86001038	Rubber Wheel dia. 160mm	34		Wire Feed Unit
7	86001049	Front Wheel Assy		86003004	Drive Bracket Assy
8	86001051	Rubber Wheel dia. 100mm	35	86006002	Gas Solenoid Valve
9	86001082	Handle Support Bracket	36	86002062P	Fuse 6.3AMP 30 x 6 (10pkt)
10	86001084	Handle Pipe	37	86002054P	Fuse 2.5AMP 30 x 6 (10pkt)
11	86004030	Transformer Main	38	86002052P	Fuse 1AMP 20 x 5 (10pkt)
12	86001031	Thermoswitch 110C for M/Transf	39	86002070	Fuse Holder
13	86004007	Choke	41	P5110014	Dinse Socket 35
14	86004013	Transformer Auxiliary	42	5010616	Housing for Central Adaptor
16	86005001	Diode IR	42-46	86003001	Central Adaptor Head
16	86005000	Diode 2003	44	86003044	Guide Tube 2.0mm
17	86005012	Heatsink M20x1.5	47	P5110015	Dinse Plug 35
18	86005012A	Heatsink M20x1.5 + M4	48	FW35	Rubber Cable 35mm <sup>2</sup>
19	86005013A	Heatsink Holder	49	MEC500	Earth Clamp
20	86001031A	Thermoswitch 80C	51	86001005	Switch ON/OFF
23	86001019A	Main Contactor	52	86001046	Knob for Voltage Switch
24	86002010	PCB	53	86001006	Switch 6 position
25	86002007	PCB Holder	55	86001043	Spot Pot 470KA
27	86001028	Fan	56	86001044	Wire Feed Pot 10KA
28	86001029A	Fan Guard	57	86001047	Burnback Pot 4K7A
29	86003011	Complete Hub	58	86001045	Complete Knob for Pot. Meter