

## MIGOMAG PORTAFEED 4 UNIT BREAKDOWN AND PARTS DESCRIPTION

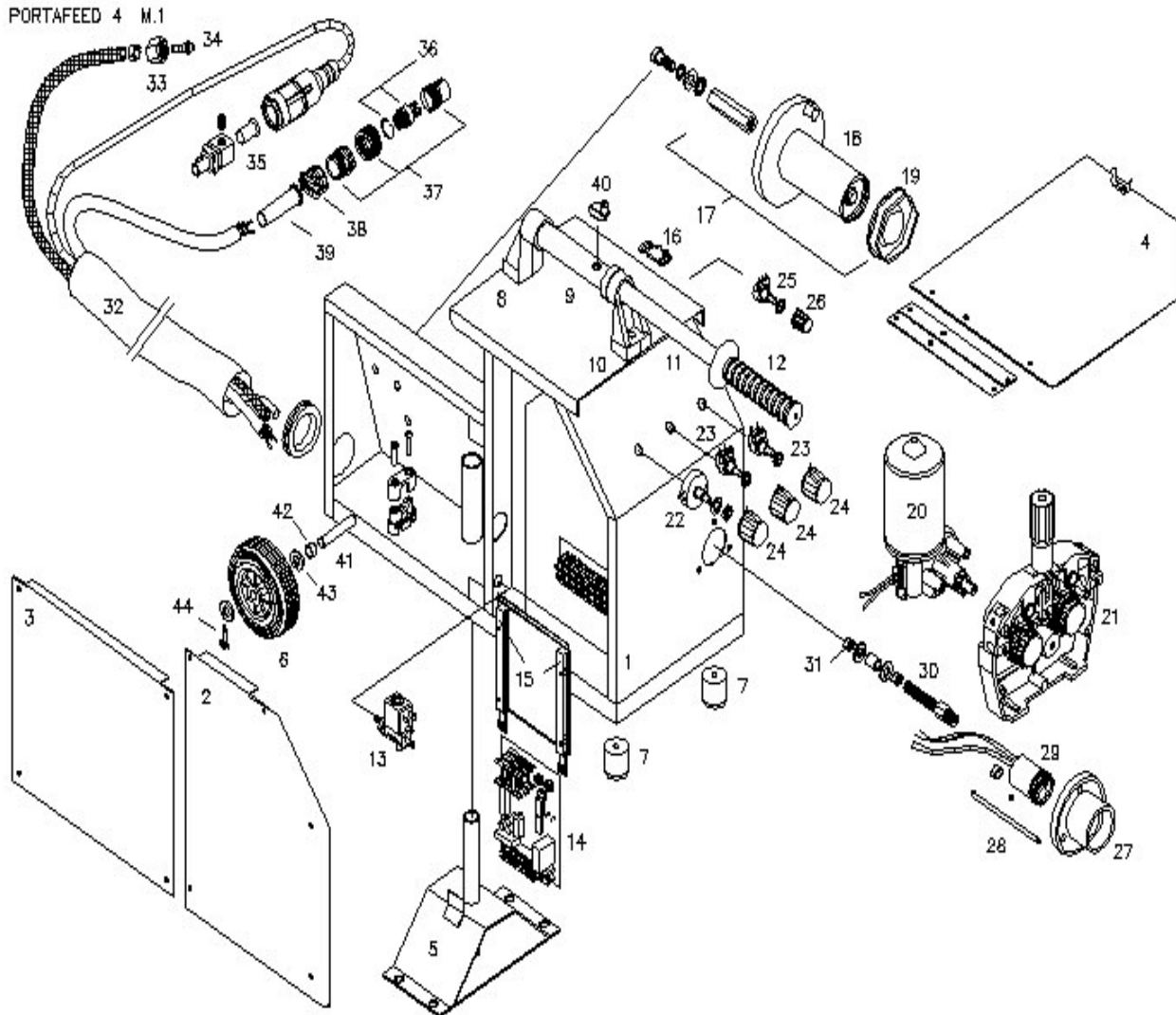


FIG	PART NO.	DESCRIPTION	FIG	PART NO.	DESCRIPTION
2	86001092	Side Panel Left Hand	21		Wire Feed Unit
3	86001093	Cover Plate		86003069	Drive Bracket Assy
4	86001094	Opening side Panel	22	86001054	Potentiometer 10K
5	86001089	Rotatable Base	23	86001043	Pot Spot / Pulse 470KA
6	86001051	Front Wheel All models dia.100mm	24	86001045	Complete Knob for Potmeter
7	86001053	Rubber Foot	25	86001047	Potentiometer 4K7A
8	86001082	Handle Support Bracket	26	86001055	Complete Knob for Potmeter
9	86001087	Handle Pipe	27	5010616	Housing for Central Adaptor
10	86001082A	Handle Pipe Holder Front	28	86003055	Guide Tube 2.0 x 108mm
11	86001088	Handle Pipe Inner	27-31	86003000	Central Adaptor Head
12	86001082B	Plastic Handle	33	86001095	Hollander 3/8"
13	86006002	Gas Solenoid Valve 42V	34	86001096	Hose Connector 3/8"
14	86002010	PCB W10M-4 5.0	36	86003085	Plug 10-pin Fixed
15	86002007	PCB Holder	37	86003084	Socket Amphenol
17	86003011A	Hub Complete	38	86003083	Amphenol Pull Inhibitor
19	86003010A	Hub Nut	39	86003082	Amphenol Fracture Inhibitor
20	86002994	Drive Motor	40	86001081B	Securing Pin with Spring